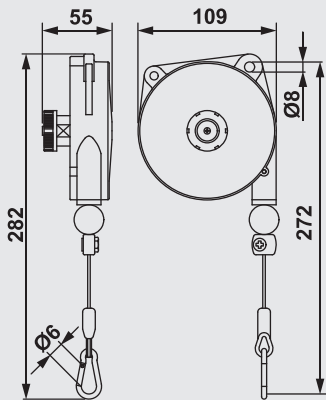


9300 ÷ 9303



1
1600 mm
0,2÷3 kg

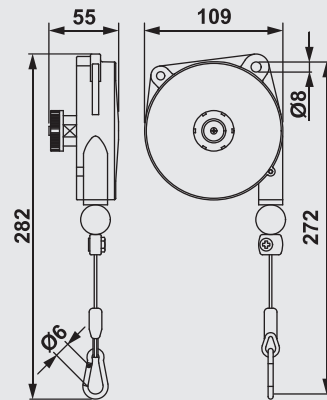


	9300	9301	9302	9303
Capacity	0,2÷0,5	0,4÷1	1÷2	2÷3
Weight	0,5	0,5	0,6	0,7
Stroke	1600 mm			
Cable	Inox			
Body	Nylon			

9311 ÷ 9313



2
1600 mm
0,4÷3 kg

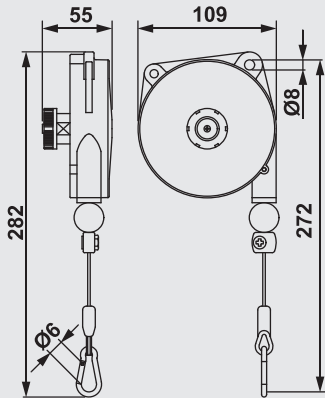


	9311	9312	9313
Capacity	0,4÷1	1÷2	2÷3
Weight	0,6	0,6	0,7
Stroke	1600 mm		
Cable	Inox		
Body	Aluminium		

9300NY ÷ 9303NY



3
1600 mm
0.2÷3 kg

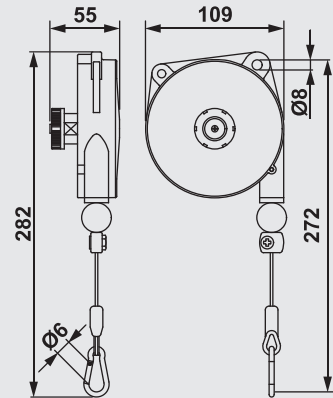


	9300NY	9301NY	9302NY	9303NY
Capacity	0,2÷0,5	0,4÷1	1÷2	2÷3
Weight	0,5	0,5	0,6	0,7
Stroke	1600 mm			
Cable	Polypropylene			
Body	Nylon			

9311NY ÷ 9313NY



4
1600 mm
0.4÷3 kg

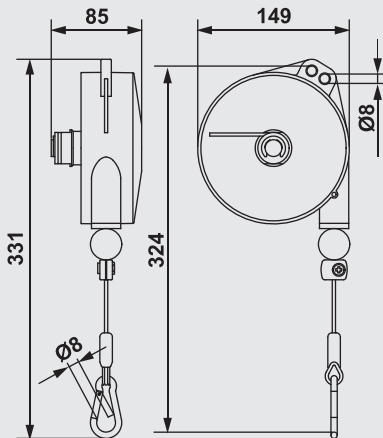


	9311NY	9312NY	9313NY
Capacity	0,4÷1	1÷2	2÷3
Weight	0,6	0,6	0,7
Stroke	1600 mm		
Cable	Polypropylene		
Body	Aluminium		

9320 ÷ 9323



5
2000 mm
1÷8
Kg

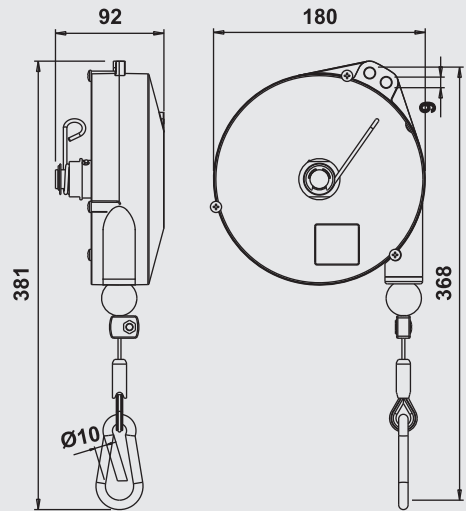


	9320	9321	9322	9323
Capacity	1÷2,5	2÷4	4÷6	6÷8
Weight	2	2	2,3	2,5
Stroke	2000 mm			
Cable	Inox			
Body	Aluminium			

9336 ÷ 9340



6
2500 mm
2÷14
kg

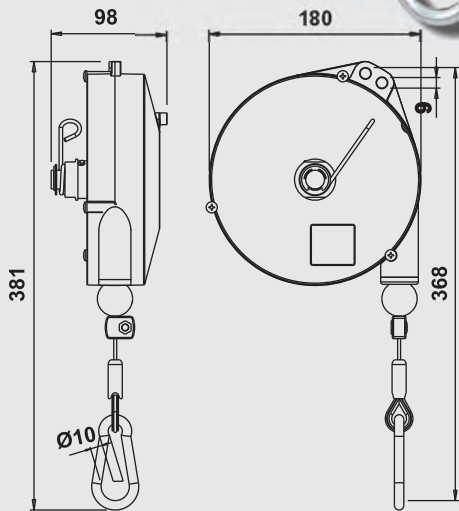


	9336	9337	9338	9339	9340
Capacity	2÷4	4÷6	6÷8	8÷10	10÷14
Weight	2,9	3,2	3,5	3,7	4
Stroke	2500 mm				
Cable	Inox				
Body	Aluminium				

9346 ÷ 9350

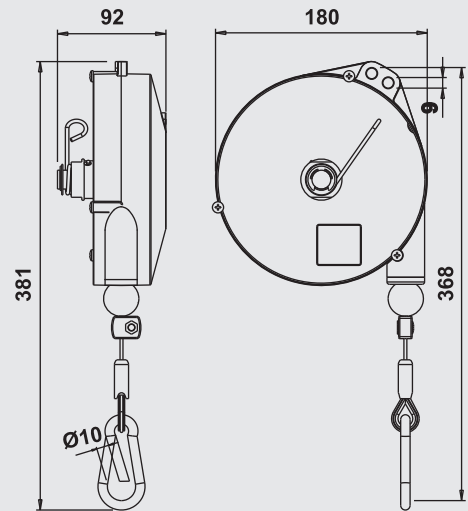


In addition to the features of the former range, the new balancers are equipped with a new device enabling to stop the stroke by carrying out a simple operation on the load.



	9346	9347	9348	9349	9350
Capacity	2÷4	4÷6	6÷8	8÷10	10÷14
Weight	3	3,3	3,6	3,8	4
Stroke	2500 mm				
Cable	Inox				
Body	Aluminium				

9336NY ÷ 9340NY

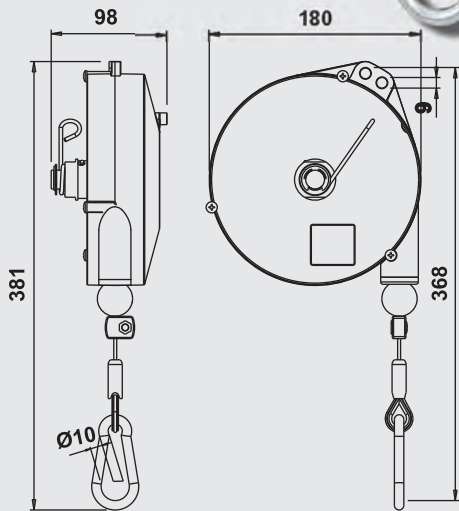


	9336NY	9337NY	9338NY	9339NY	9340NY
Capacity	2÷4	4÷6	6÷8	8÷10	10÷14
Weight	2,9	3,2	3,5	3,7	4
Stroke	2500 mm				
Cable	Dyneema®				
Body	Aluminium				

9346NY ÷ 9350NY



In addition to the features of the former range, the new balancers are equipped with a new device enabling to stop the stroke by carrying out a simple operation on the load.



	9346NY	9347NY	9348NY	9349NY	9350NY
--	--------	--------	--------	--------	--------

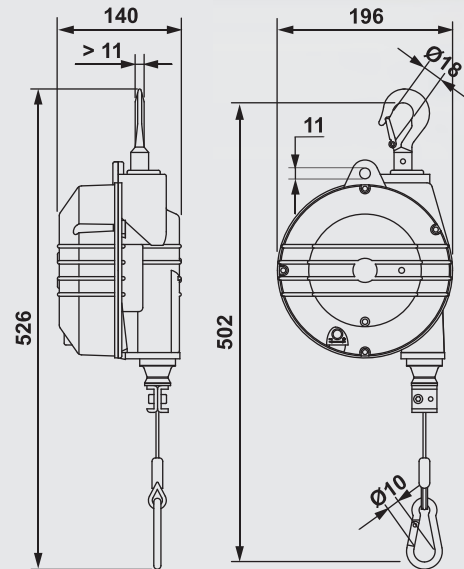
Capacity	2÷4	4÷6	6÷8	8÷10	10÷14
Weight	3	3,3	3,6	3,8	4
Stroke	2500 mm				
Cable	Dyneema®				
Body	Aluminium				

9354 ÷ 9359



Option F Brake device

The balancer is equipped with a friction/brake which controls the rotation speed of the drum. This option is feasible when placing a new order while it is not possible to assemble this device on balancers already installed.



	9354	9355	9356	9357	9358	9359
--	------	------	------	------	------	------

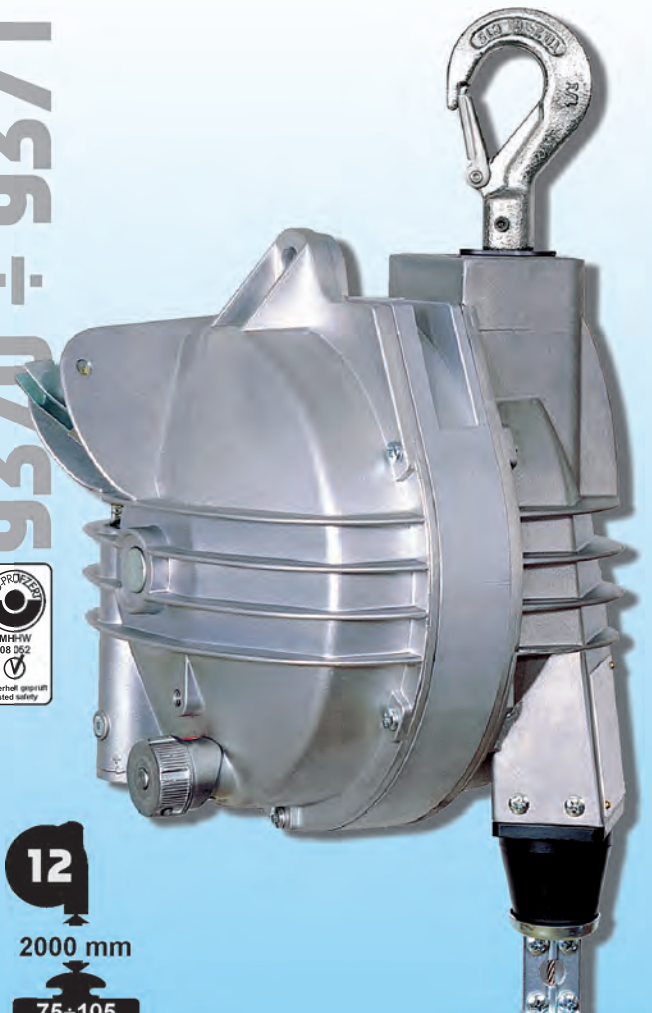
Capacity	4÷7	7÷10	10÷14	14÷18	18÷22	22÷25
Weight	5	5,5	5,5	6,5	6	6,6
Stroke	2000 mm					
Cable	Inox					
Body	Aluminium					

9361 ÷ 9369

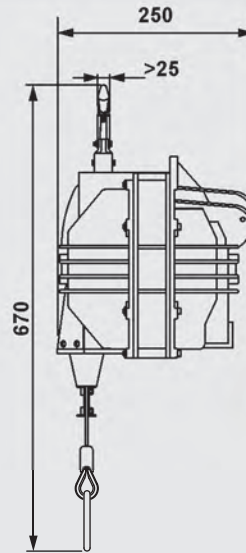
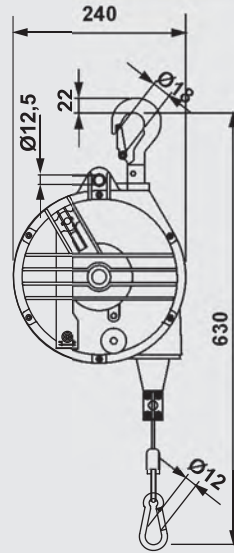
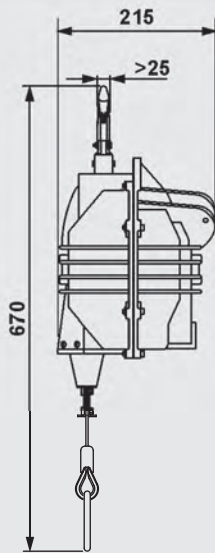
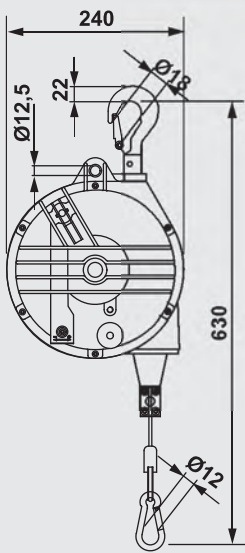


11
2000 mm
10÷75 kg

9370 ÷ 9371



12
2000 mm
75÷105 kg



	9361	9362	9363	9364	9365	9366	9367	9368	9369	9370	9371
Capacity	10÷15	15÷20	20÷25	25÷30	30÷35	35÷45	45÷55	55÷65	65÷75	75÷90	90÷105
Weight	10,3	10,6	11,2	11,5	11,8	12,4	12,5	13,6	14,5	17,3	18
Stroke	2000 mm									2000 mm	
Cable	Inox									Inox	
Body	Aluminium									Aluminium	

9401 ÷ 9405

9431 ÷ 9433

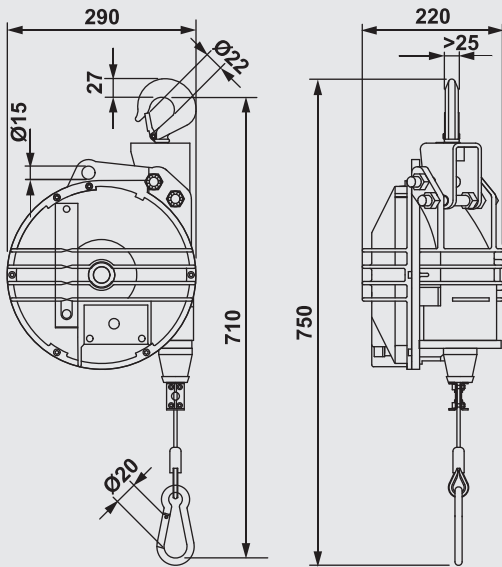


13
 2500 mm
 3000 mm
 15÷60
 kg



OPTION B
 Locking-unlocking device
 with control from the floor.

OPTION RI
 Rotary and insulating device.



OPTION B



OPTION RI



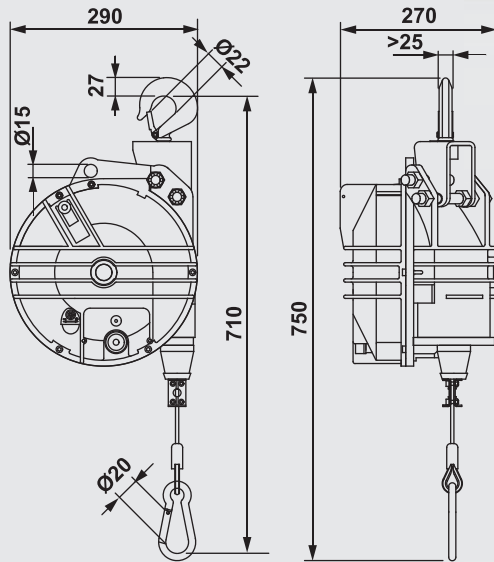
	9401	9402	9403	9404	9405	9431	9432	9433
Capacity	15÷20	20÷30	30÷40	40÷50	50÷60	15÷20	20÷25	25÷35
Weight	19	19,8	20,8	23,9	25,4	19,1	19,9	20,9
Stroke	2500 mm					3000 mm		
Cable	Inox							
Body	Aluminium							

9411 ÷ 9414

9434 ÷ 9444



14
 2500 mm
 3000 mm
 60÷100
 kg



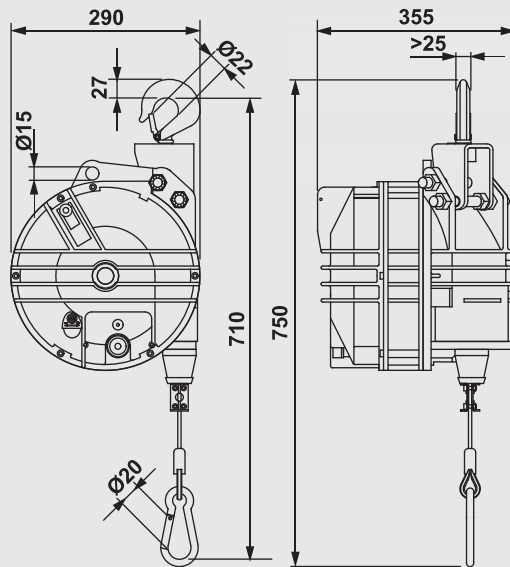
	9411	9412	9413	9414	9434	9435	9436	9441	9442	9443	9444
Capacity	60÷70	70÷80	80÷90	90÷100	35÷45	40÷50	50÷60	60÷70	70÷80	80÷90	80÷100
Weight	26,8	27,8	28,8	30	23,8	23,9	25,3	27	28	29	29
Stroke	2500 mm				3000 mm						
Cable	Inox										
Body	Aluminium										

9422 ÷ 9426

9451 ÷ 9456



15
 2500 mm
 3000 mm
 100÷180
 kg



	9422	9423	9424	9425	9426	9451	9452	9453	9454	9455	9456
Capacity	100÷120	120÷140	130÷150	140÷160	160÷180	100÷115	115÷130	130÷140	140÷150	150÷160	160÷180
Weight	38,7	41,87	44,5	48	49	39,7	39,9	42,8	45,6	49	50
Stroke	2500 mm					3000 mm					
Cable	Inox										
Body	Aluminium										

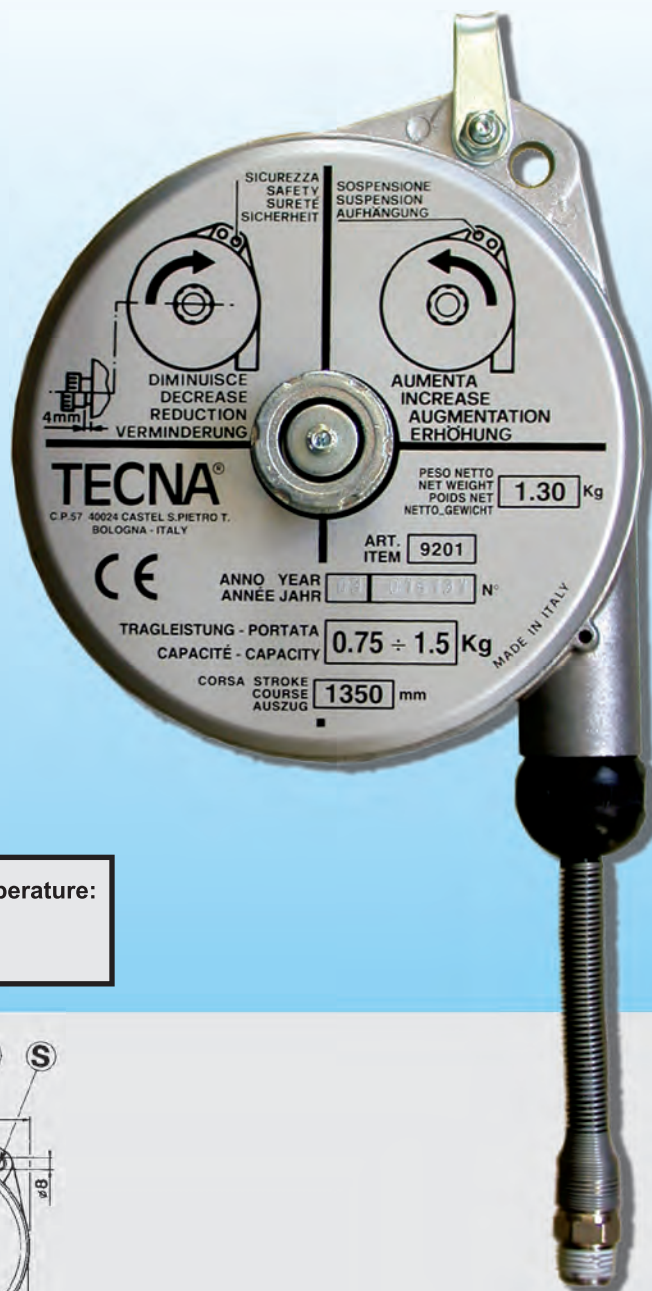
9200 ÷ 9203

BALANCERS FOR PNEUMATICS

Used for arranging ergonomic work stations.
Applications: Screw drivers - Drills - Shearing machines - Tools for electronics - Air guns.

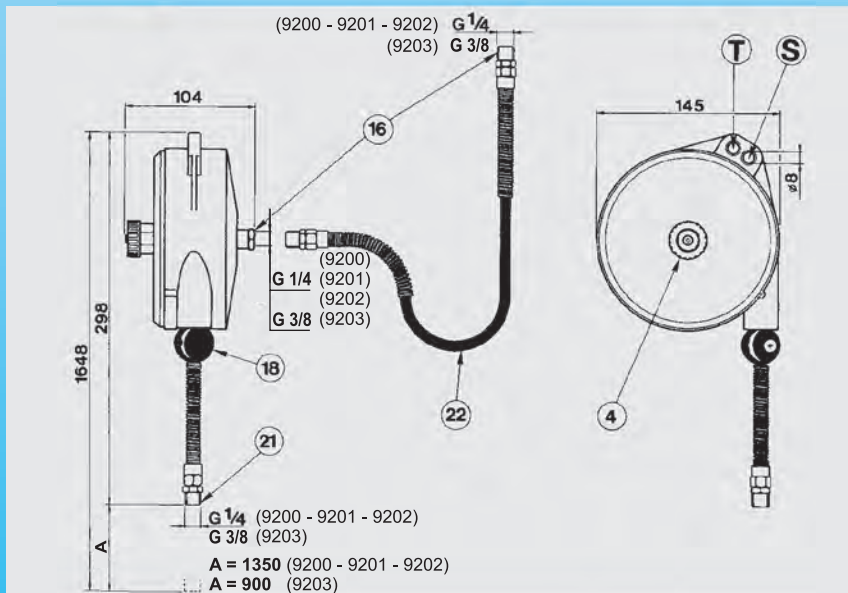
ADVANTAGES

- Maximum ease of use.
- Minimum overall dimensions as the tool is supported by the hose.
- Polyurethane hose.
- Rugged construction, cast aluminium body.
- Adjustable capacity.
- Springs properly sized to ensure long life and smooth running.
- Adjustable stroke limiting device.
- Auxiliary safety suspension.



Max operating pressure:
8 bar

Max operating temperature:
50°



- T - Suspension.
- S - Safety.
- 4 - Capacity adjustment.
- 16- Air input 1/4 gas.
- 18- Stroke limiting clamp.
- 21- Air output 1/4 gas.
- 22- Flexible supply hose.

	9200	9201	9202	9203
Capacity	0,4÷0,8	0,75÷1,5	1,2÷2,5	3÷5
Weight	1,35	1,35	1,35	1,35
Stroke	1350 mm			900 mm
Cable	Polyurethane			
Body	Aluminium			

9354AX÷9359AX

ATEX

Ex II 2GD c II T 85°C (T6)

TECNA S.p.A. produces a new range of **BALANCERS** suitable to be installed in potentially explosive areas composed by flammable gases or combustible dusts.

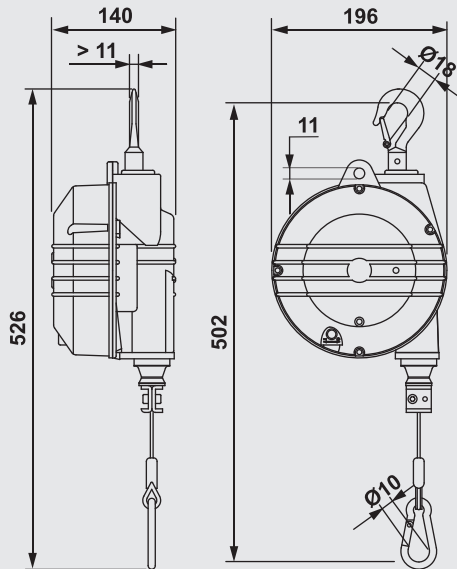
Atex features for Tecna balancers are:

Ex II 2GD c II T 85°C (T6)

- Ex:** ATEX;
- II:** Group II;
- 2:** Category 2 (probable presence of potentially explosive atmosphere);
- GD:** Potentially explosive atmosphere for gas and dust ;
- c:** "c" type protection for non-electrical equipments;
- II:** For all gases;
- T 85°C:** Superficial max. temperature of normal working and malfunction in Celsius degrees for dusts;
- (T6):** Superficial temperature class relevant to a max. of 85°C for gas.



17
2000 mm
4÷25
kg



	9354AX	9355AX	9356AX	9357AX	9358AX	9359AX
Capacity	4÷7	7÷10	10÷14	14÷18	18÷22	22÷25
Weight	4,94	5,3	5,67	6,26	5,89	6,53
Stroke	2000					
Cable	Inox					
Body	Aluminium					

9502AX÷9509AX

ATEX

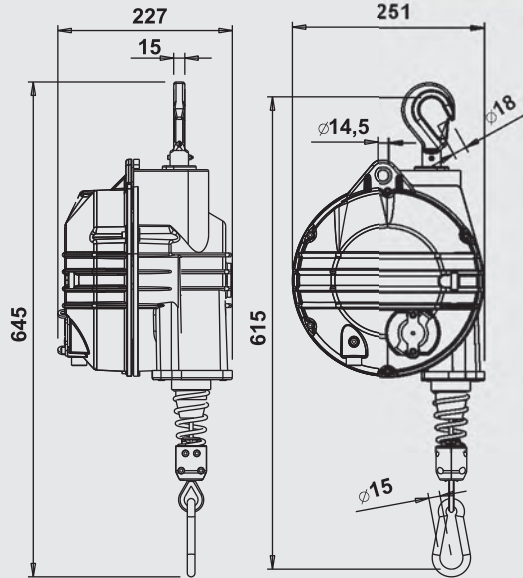
Ex II 2GD c II T 85°C (T6)

TECNA S.p.A. produces a new range of **BALANCERS** suitable to be installed in potentially explosive areas composed by flammable gases or combustible dusts.

Atex features for Tecna balancers are:

Ex II 2GD c II T 85°C (T6)

- Ex:** ATEX;
- II:** Group II;
- 2:** Category 2 (probable presence of potentially explosive atmosphere);
- GD:** Potentially explosive atmosphere for gas and dust ;
- c:** "c" type protection for non-electrical equipments;
- II:** For all gases;
- T 85°C:** Superficial max. temperature of normal working and malfunction in Celsius degrees for dusts;
- (T6):** Superficial temperature class relevant to a max. of 85°C for gas.



	9502AX	9503AX	9504AX	9505AX	9506AX	9507AX	9508AX	9509AX
Capacity	20÷30	30÷40	40÷50	50÷60	60÷70	70÷80	80÷90	90÷100
Weight	~ 15							
Stroke	2100							
Cable	Inox							
Body	Aluminium							

9520AX÷9525AX

ATEX

Ex II 2GD c II T 85°C (T6)

TECNA S.p.A. produces a new range of **BALANCERS** suitable to be installed in potentially explosive areas composed by flammable gases or combustible dusts.

Atex features for Tecna balancers are:

Ex II 2GD c II T 85°C (T6)

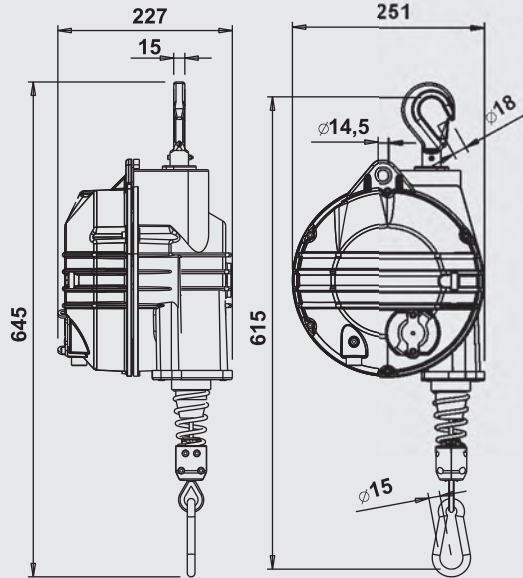
- Ex:** ATEX;
- II:** Group II;
- 2:** Category 2 (probable presence of potentially explosive atmosphere);
- GD:** Potentially explosive atmosphere for gas and dust ;
- c:** "c" type protection for non-electrical equipments;
- II:** For all gases;
- T 85°C:** Superficial max. temperature of normal working and malfunction in Celsius degrees for dusts;
- (T6):** Superficial temperature class relevant to a max. of 85°C for gas.



19

2700 mm

12÷70
kg



	9520AX	9521AX	9522AX	9523AX	9524AX	9525AX
Capacity	12÷20	20÷30	30÷40	40÷50	50÷60	60÷70
Weight	~ 15					
Stroke	2700					
Cable	Inox					
Body	Aluminium					

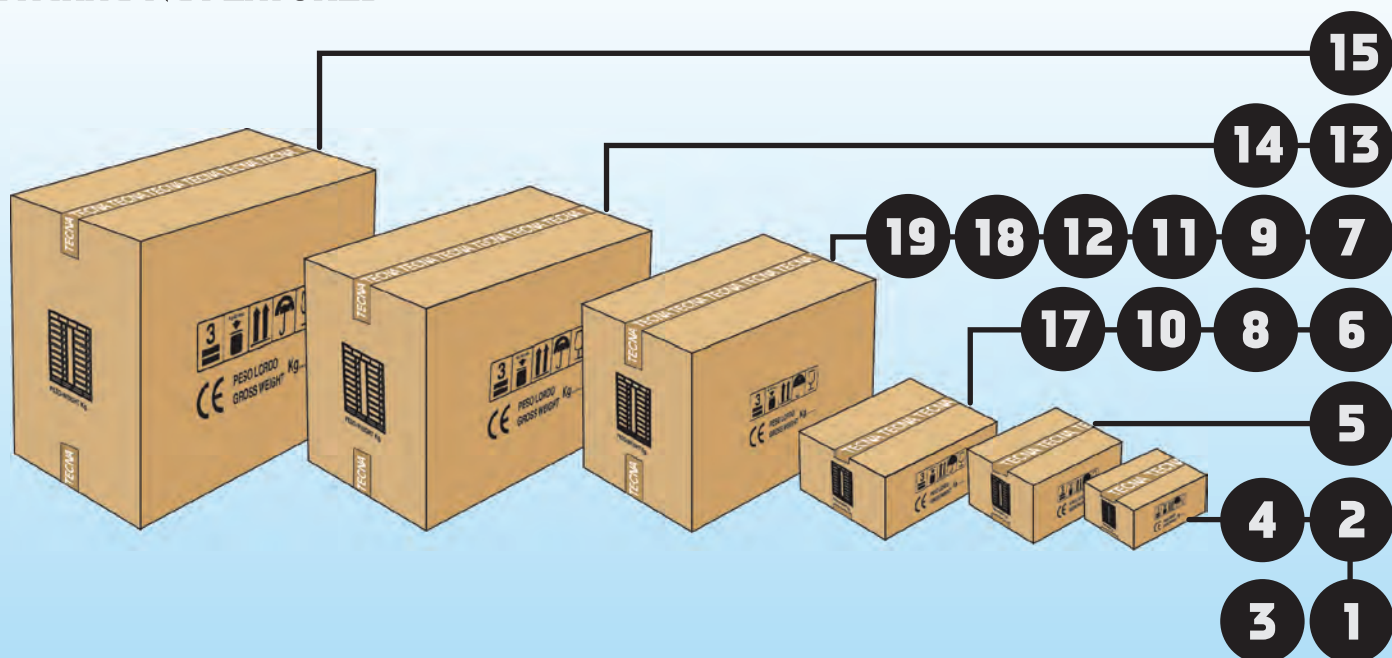
BALANCERS TECHNICAL FEATURES

	3 1	4 2	5	8 6	9 7	10	12 11	15 14 13	15 14 13	
kg	0,2÷3	0,4÷3	1÷8	2÷14	2÷10	4÷25	10÷105	15÷180	15÷180	Capacity
mm	1600	1600	2000	2500	2500	2000	2000	2500	3000	Stroke
	●									Rugged construction, Nylon body
		●	●	●	●					Rugged construction, cast aluminium body
						●	●	●	●	Ribbed and sealed monobloc construction in aluminium alloy
	●	●		●	●					Polypropylene / Dyneema rope
	●	●	●	●	●	●	●	●	●	Stainless steel rope
	●	●	●	●	●					Adjustable capacity
						●	●	●	●	Adjustable capacity by means of a worm screw
	●	●	●	●	●	●	●	●	●	Auxiliary safety suspension
			●	●	●	●	●	●	●	Safety device against load dropping due to the spring breakage (>3kg)
							●	●	●	Centrifugal safety device
						●	●	●	●	Upper rotary suspension with safety hook
						●	●	●	●	Locking device to block the load at any height
	●	●	●	●	●	●	●	●	●	Adjustable stroke limiting device
						●	●	●	●	Taper drum rotating on ball bearings
	●	●	●	●	●	●	●	●	●	Cable guide in antifriction material
						●	●	●	●	Rotary upper hook with ball bearing
								●	●	Lining up upper hook
								●	●	Visible cable for inspection
	●	●	●	●	●	●	●	●	●	Inert spring drum assembly
	●	●	●	●	●	●	●			Polyamides thimble

ON REQUEST OPTIONS B-RI-F

							●	●	●	B: Locking-unlocking device with control from the floor
							●	●	●	RI: Rotary and insulating device
						●				F: Brake device

PACKAGING FEATURES



	9300 9300NY	9301 9301NY	9302 9302NY	9303 9303NY	9311 9311NY	9312 9312NY	9313 9313NY	9320	9321	9322	9323
kg	0,65	0,65	0,65	0,65	0,65	0,65	0,75	2,1	2,1	2,4	2,6
mm	160x120x60	160x120x60	160x120x60	160x120x60	160x120x60	160x120x60	160x120x60	200x155x90	200x155x90	200x155x90	200x155x90
●	1/3	1/3	1/3	1/3	2/4	2/4	2/4	5	5	5	5
	9336 9336NY	9337 9337NY	9338 9338NY	9339 9339NY	9340 9340NY	9346 9346NY	9347 9347NY	9348 9348NY	9349 9349NY	9350 9350NY	9354 9354AX
kg	3,05	3,35	3,65	3,85	4,15	3,15	3,45	3,75	3,95	4,25	6,5
mm	260x205x95	260x205x95	260x205x95	260x205x95	260x205x95	260x205x95	260x205x95	260x205x95	260x205x95	260x205x95	420x205x165
●	6/8	6/8	6/8	6/8	6/8	7/9	7/9	7/9	7/9	7/9	10/17
	9355 9355AX	9356 9356AX	9357 9357AX	9358 9358AX	9359 9359AX	9361 9502AX	9362 9503AX	9363 9504AX	9364 9505AX	9365 9506AX	9366 9507AX
kg	7	7	8	7,5	8,1	12,3	12,6	13,2	13,5	13,8	14,4
mm	420x205x165	420x205x165	420x205x165	420x205x165	420x205x165	455x270x280	455x270x280	455x270x280	455x270x280	455x270x280	455x270x280
●	10/17	10/17	10/17	10/17	10/17	11/18	11/18	11/18	11/18	11/18	11/18
	9367 9508AX	9368 9509AX	9369	9370 9520AX-9525AX	9371	9401	9402	9403	9404	9405	9411
kg	14,5	15,6	16,5	19	20	22,2	23	24	27,1	28,6	30
mm	455x270x280	455x270x280	455x270x280	455x270x280	455x270x280	600x320x330	600x320x330	600x320x330	600x320x330	600x320x330	600x320x330
●	11/18	11/18	11	12/19	12/19	13	13	13	13	13	14
	9412	9413	9414	9422	9423	9424	9425	9426	9431	9432	9433
kg	31	32	32	42,5	45,6	48,3	51,8	52,8	22,3	23,1	24,1
mm	600x320x330	600x320x330	600x320x330	600x320x420	600x320x420	600x320x420	600x320x420	600x320x420	600x320x330	600x320x330	600x320x330
●	14	14	14	15	15	15	15	15	13	13	13
	9434	9435	9436	9441	9442	9443	9444	9451	9452	9453	9454
kg	27	27,1	28,5	30,2	31,2	32,2	32,2	43,5	43,7	46,6	49,4
mm	600x320x330	600x320x330	600x320x330	600x320x330	600x320x330	600x320x330	600x320x330	600x320x420	600x320x420	600x320x420	600x320x420
●	14	14	14	14	14	14	14	15	15	15	15
	9455	9456	9200	9201	9202	9203					
kg	52,8	53,8	1,45	1,45	1,45	1,45					
mm	600x320x420	600x320x420	225x160x110	600x320x420	600x320x420	600x320x420					
●	15	15	16	16	16	16					



16